

**MH240/MH340/MH640/
MH240T/MH340T/MH640T/
MH240P/MH340P/MH640P Series**

THERMAL TRANSFER / DIRECT THERMAL PRINT ENGINE

Parts List

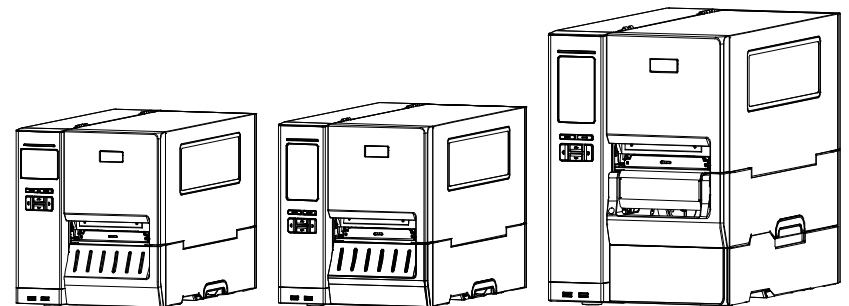
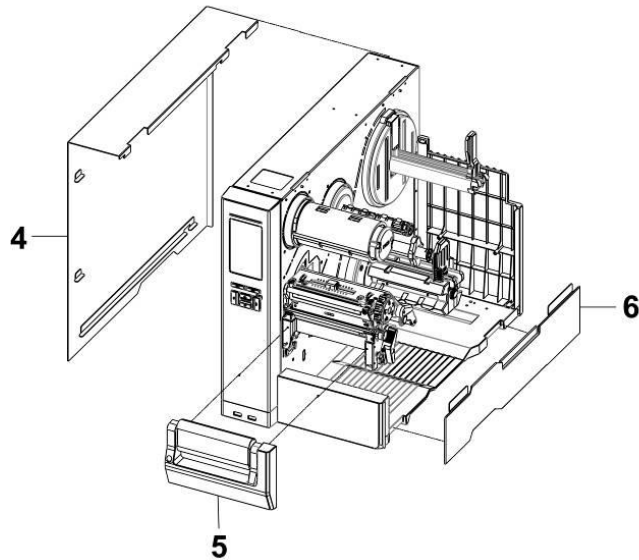
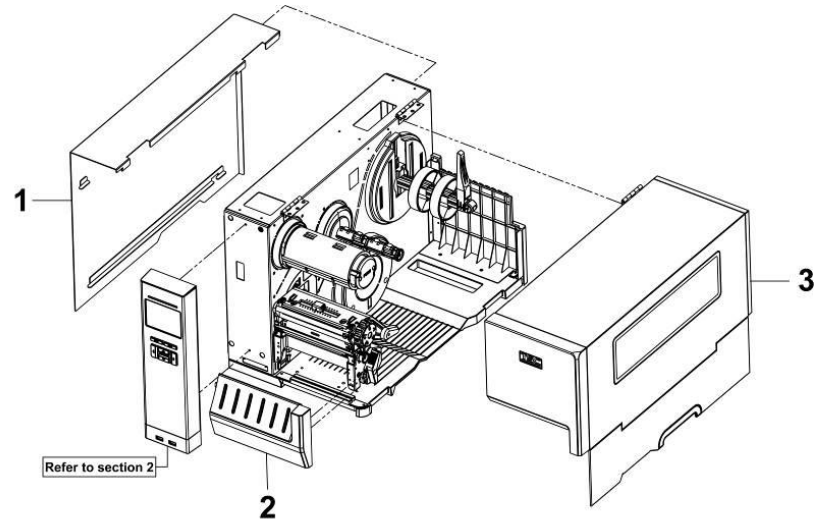


TABLE OF CONTENT

- Part List 3**
- 1. Print Covers Assemblies 3**
- 2. LCD Panel & Keypad Assembly 4**
- 3. Left Side Assemblies 6**
- 4. Right Side Assemblies..... 7**
- 5. Option and Accessories 8**
- Update History 10**

Part List

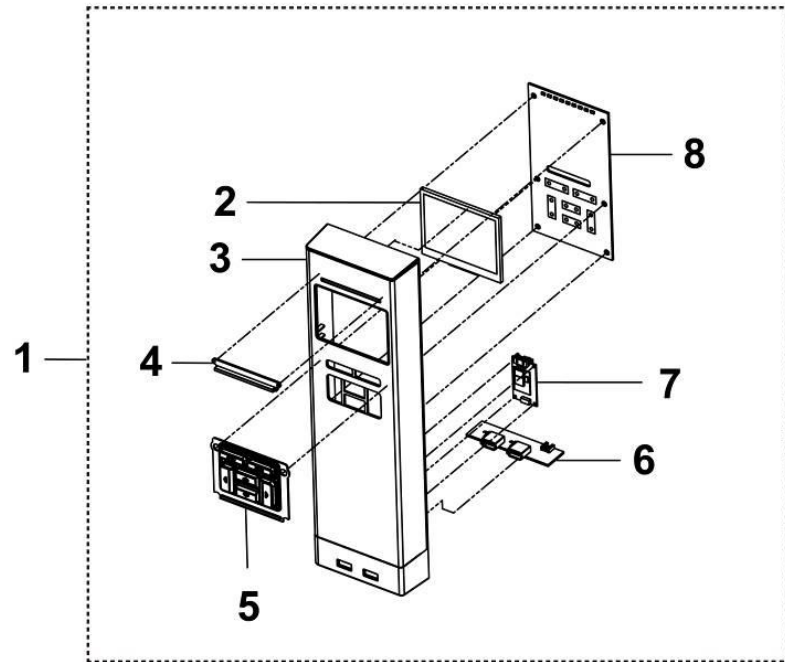
1. Print Covers Assemblies



No.	Part No.	Description	Remark	Spare parts
1	32-0600044-10LF	Electronic Cover (MH240/MH240T Series)	1 pc	
2	30-0600032-10LF	Lower front cover	1 pc	
3	98-0600020-00LF	Media Cover Assembly	1 set	1%
4	32-0600046-10LF	Electronic cover (MH240P Series)	1 pc	
5	98-0600025-00LF	Lower front cover (MH240P Series)	1 pc	
6	32-0600061-00LF	Electronic lower cover (MH240P Series)	1 pc	

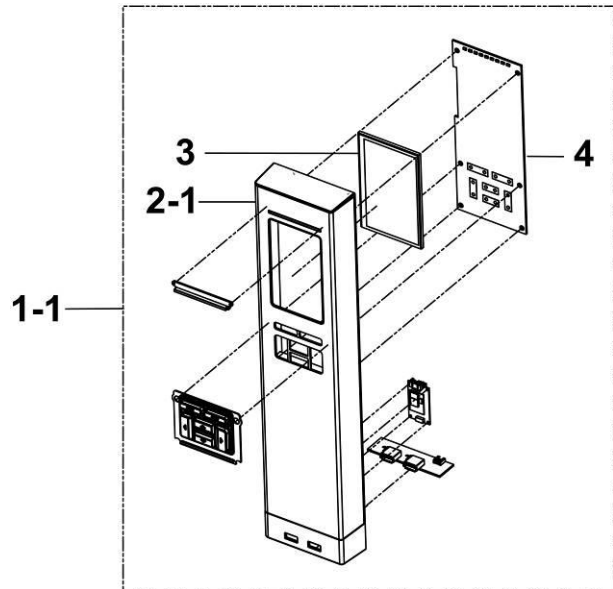
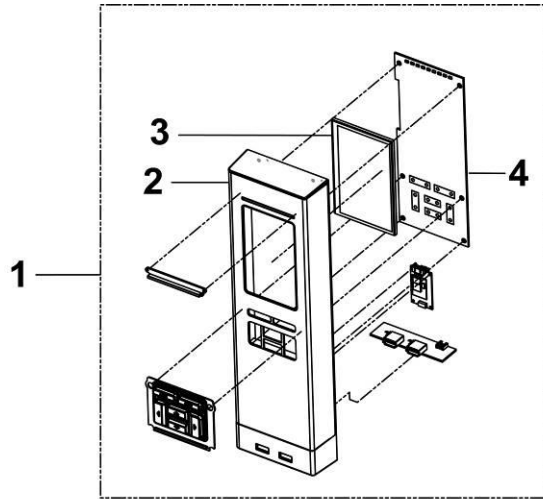
2. LCD Panel & Keypad Assembly

2.1 For MH240 Series



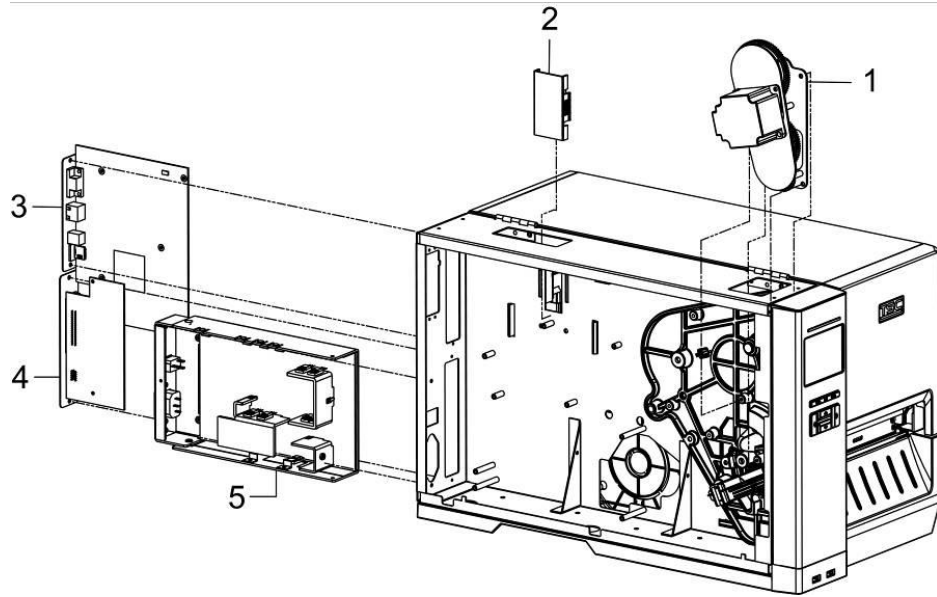
No.	Part No.	Description	Remark	Spare parts
1	98-0600019-00LF	LCD panel cover assembly (MH240 Series)	1 set	1%
2	66-VT035AK-00LF	3.5" LCD (MH240 Series)	1 pc	1%
3	98-0600046-00LF	Left front panel cover assembly (MH240 Series)	1 pc	1%
4	30-0600027-10LF	LED light guide	1 pc	
5	36-0600003-00LF	Keypad	1 pc	
6	98-0600057-00LF	USB host PCB assembly	1 set	1%
7	98-0510102-00LF	Bluetooth module (factory option)	1 set	1%
8	98-0600058-00LF	LCD panel board assembly (MH240 Series)	1 set	1%

2.2 For MH240T/MH240P Series



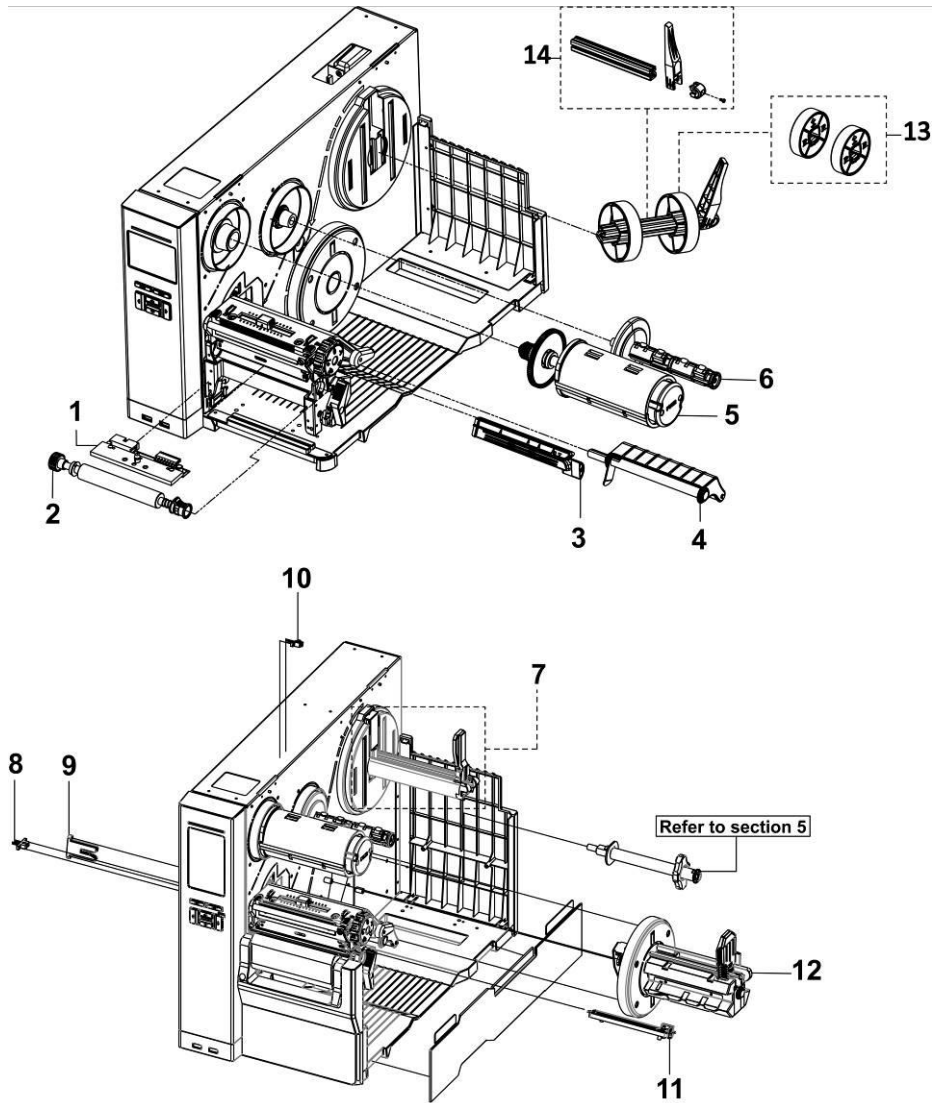
No.	Part No.	Description	Remark	Spare parts
1	98-0600019-01LF	LCD panel cover assembly (MH240T Series)	1 set	1%
1-1	98-0600019-02LF	LCD panel cover assembly (MH240P Series)	1 set	1%
2	98-0600046-01LF	Left front panel cover assembly (MH240T Series)	1 pc	1%
2-1	98-0600046-02LF	Left front panel cover assembly (MH240P Series)	1 pc	1%
3	66-TH04348-00LF	4.3" LCD (MH240T/MH240P Series)	1 pc	1%
4	98-0600059-00LF	LCD panel board assembly (MH240T/MH240P Series)	1 set	1%

3. Left Side Assemblies



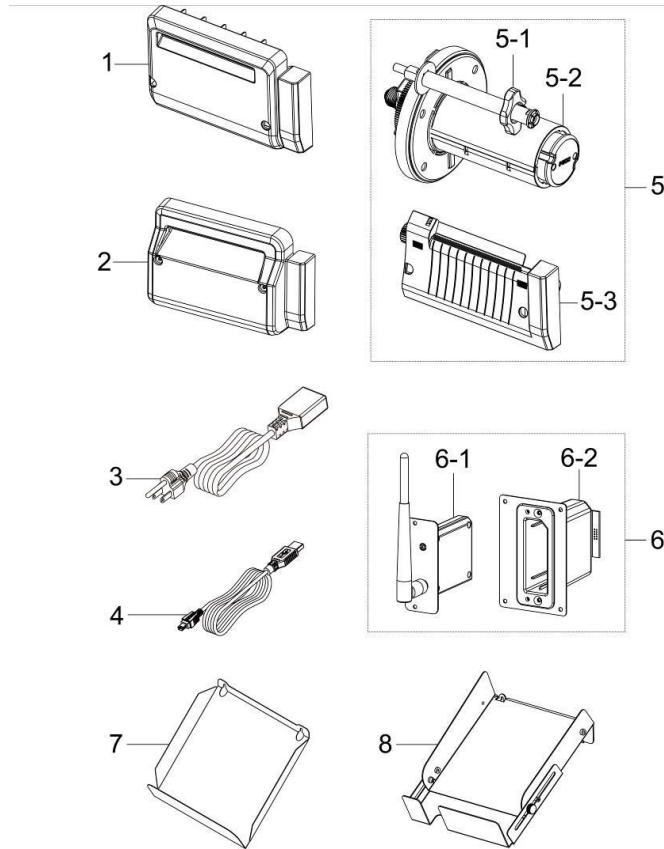
No.	Part No.	Description	Remark	Spare parts
1	98-0600016-00LF	Stepping motor assembly	1 set	1%
2	98-0600021-00LF	Media near end sensor assembly	1 set	3%
3	98-0600060-23LF	Main board assembly	1 set	5%
4	98-0600055-00LF	GPIO interface assembly (including parallel port, dealer option)	1 set	
5	62-0600245-01LF	Power supply	1 pc	3%

4. Right Side Assemblies



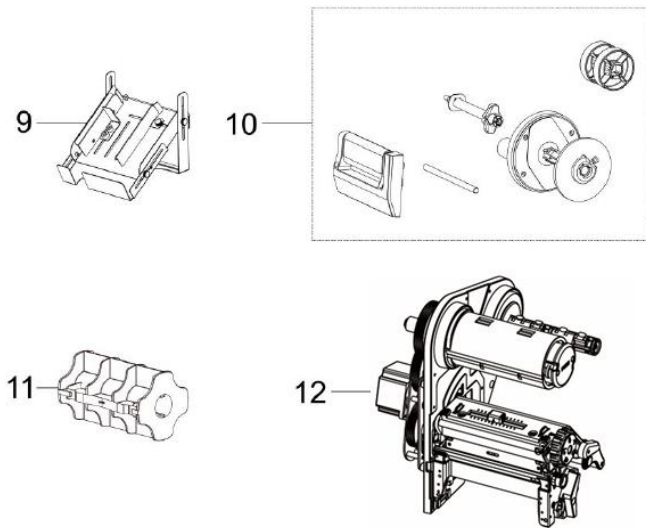
No.	Part No.	Description	Remark	Spare parts
1	98-0600022-00LF	203 DPI TPH assembly	1 set	5%
	98-0600022-01LF	300 DPI TPH assembly		5%
	98-0600022-02LF	600 DPI TPH assembly		5%
2	98-0600008-00LF	Platen roller assembly	1 set	3%
3	98-0600009-20LF	Media sensor module assembly	1 set	3%
4	98-0600012-10LF	Media damper assembly	1 set	
5	98-0600014-00LF	Ribbon rewind spindle assembly	1 set	2%
6	98-0600013-00LF	Ribbon supply spindle assembly	1 set	2%
7	98-0600017-00LF	Label supply spindle assembly (For MH240P 1.5" I.D. core spindle)	1 pc	2%
8	98-0600004-00LF	TPH open sensor assembly	1 set	3%
9	98-0240026-00LF	Ribbon end sensor assembly	1 set	3%
10	98-0600003-00LF	Ribbon encoder sensor assembly	1 set	3%
11	98-0600011-00LF	Label guide module	1 set	2%
12	98-0600035-00LF	Internal rewriter assembly (MH240P Series only)	1 set	1%
13	30-0680001-00LF	3" core adapters (For MH240 and MH240T series with 1" I.D. core spindle only)	2 pcs	
14	98-0680011-00LF	Label supply spindle assembly (For MH240 and MH240T series 1" I.D. core spindle only)	1 set	3%

5. Option and Accessories



No.	Part No.	Description	Remark	Spare parts
1	98-0600032-10LF	Regular guillotine cutter module (dealer option)	1 set	1%
2	98-0600043-10LF	Heavy duty cutter module (dealer option)	1 set	
N/S	98-0600064-00LF	Care Label Cutter Module (dealer option)	1 set	

3	72-0180100-00LF	Power cord / US	Standard	
	72-0180100-01LF	Power cord / EU 90 degree	Option	
	72-0180100-02LF	Power cord / UK	Option	
	72-0180100-03LF	Power cord / AU	Option	
	72-0180100-14LF	Power cord / JP	Option	
	72-0180100-05LF	Power cord / CH	Option	
	72-0180100-0DLF	Power cord / CN	Option	
	72-0180100-09LF	Power cord / BR	Option	
	72-0180100-0KLF	Power cord/ KC	Option	
	72-0180100-0MLF	Power cord / TW		
	72-0180100-0LLF	Power cord/ TW (second source)	Option	
	72-0180100-0PLF	Power cord / RU	Option	
4	72-0010030-00LF	USB cable	1 pc	
5	98-0600026-00LF	Peel-off kit (MH240 and MH240T Series only, dealer option)	1 set	1%
5-1	98-0600070-00LF	Media guide for peel-off module assembly (dealer option)	1 set	
5-2	98-0600037-00LF	Internal rewinding spindle for peel-off module assembly (dealer option)	1 set	
5-3	98-0600029-00LF	Peel-off module panel (dealer option)	1 set	
6	98-2510097-00LF	Slot-in Wi-Fi module with antenna and transfer board (dealer option)	1 set	1%
6-1	98-0510095-00LF	Slot-in Wi-Fi module (dealer option)	1 set	1%
6-2	98-0510091-10LF	Slot-in Wi-Fi housing with transfer board (dealer option)	1 set	1%
7	98-0600079-00LF	Cutter tray (For MH Heavy duty and Care label cutter only)	Option	
8	98-0600088-00LF	Base cutter catch tray (Standard, For MH Heavy duty and Care label cutter only)	Option	



No.	Part No.	Description	Remark	Spare parts
9	98-0600084-00LF	Universal cutter catch tray (Full set)	Option	
10	98-0600092-00LF	5" O.D. Internal rewinding kit (dealer option, MH240/ MH240T series with 1" I.D. core spindle only)	Option	
11	98-0160010-10LF	3" Label core rewinder adopter assembly	Option	
12	98-0600098-00LF	Print module (203 dpi) without main board, power supply unit and power cord	Option	
	98-0600098-01LF	Print module (300 dpi) without main board, power supply unit and power cord	Option	
	98-0600098-02LF	Print module (600 dpi) without main board, power supply unit and power cord	Option	
N/S	98-0600099-00LF	Accessory for MH240T (LCD) print module + Rewinder kit/ China	Option	
N/S	98-0600100-0CLF	Accessory for MH240T (LCD) print module/ IN	Option	
N/S	98-0T80022-00LF	Cleaning pen (MOQ 12PCS/CTN)	Option	

N/S : Not shown

Update History

Date	Content	Editor
2017/6/20	*Delete Peel-off module assembly P/N (MH240/MH240T Series only) *Add Internal Bluetooth module (factory option) P/N	Kate
2017/6/26	*Delete Internal Bluetooth module (factory option) P/N	Kate
2017/7/17	*Add Peel-off module assembly P/N (MH240/MH240T Series only)	Kate
2017/8/15	*Revise GPIO interface assembly from factory option to dealer option	Kate
2017/11/6	*Revise Media sensor module assembly P/N from 98-0600009-00LF to 98-0600009-10LF *Revise Main board assembly (MH240T/MH240P Series) P/N from 98-0600060-01LF to 98-0600060-11LF *Revise Main board assembly (MH240 Series) P/N from 98-0600060-02LF to 98-0600060-12LF *Add Main board assembly (MH240 Series, socket color: J24(green), J25(red)) P/N *Add Main board assembly (MH240T/MH240P Series socket color: J24(green), J25(red)) P/N *Add Power cord/ TW P/N *Add Power cord/ TW (second source) P/N	Kate
2017/12/26	*Add Heavy duty cutter module P/N	Kate
2018/1/3	*Revise Main board assembly (MH240T/MH240P Series socket color: J24(green), J25(red)) P/N from 98-0600060-13LF to 98-0600060-23LF	Kate
2018/1/8	*Revise Main board assembly (MH240 Series) P/N from 98-0600060-12LF to 98-0600060-22LF *Revise Main board assembly (MH240 Series, socket color: J24(green), J25(red)) P/N from 98-0600060-14LF to 98-0600060-24LF	Kate
2018/3/8	*Add Cleaning pen (MOQ 12PCS/CTN) P/N	Kate
2018/3/20	*Add Care Label Cutter Module P/N	Kate
2018/6/22	*Modify Media sensor module assembly P/N from 98-0600009-10LF to 98-0600009-20LF *Modify Regular guillotine cutter module P/N from 98-	Kate

	0600032-00LF to 98-0600032-10LF *Modify Power cord/ CN P/N from 72-0180100-08LF to 72-0180100-0DLF *Delete Main board assembly (MH240 Series) P/N *Delete Main board assembly (MH240T/MH240P Series) P/N	
2018/7/6	*Add Power cord/ RU P/N	Kate
2018/8/24	*Modify Lower front cover P/N from 30-0600032-00LF to 30-0600032-10LF	Kate
2018/11/7	*Modify Power supply P/N from 62-0600243-01LF to 62-0600245-01LF	Kate
2018/11/28	*Modify Media damper assembly P/N from 98-0600012-00LF to 98-0600012-10LF	Kate
2018/12/5	*Modify Media sensor module assembly P/N from 98-0600009-20LF to 98-0600009-30LF	Kate
2019/4/25	*Add Cutter tray (user option) P/N *Modify Regular guillotine cutter module to dealer option *Modify Heavy duty cutter module to dealer option *Modify Care Label Cutter Module to dealer option *Modify Peel-off module assembly (MH240/MH240T Series only) to dealer option	Kate
2019/5/30	*Add Base cutter catch tray (Standard) P/N *Add Universal cutter catch tray (Full set) P/N	Kate
2016/6/26	*Delete Main board assembly (MH240T/MH240P Series socket color: J24(green), J25(red)) P/N *Modify 98-0600060-24LF description from Main board assembly (MH240 Series, socket color: J24(green), J25(red)) to Main board assembly (socket color: J24(green), J25(red))	Kate
2019/7/1	*Add Media guide for peel-off module assembly (dealer option) P/N *Add Internal rewinding spindle for peel-off module assembly (dealer option) P/N *Add Peel-off module panel (dealer option) P/N	Kate
2019/7/8	*Delete Main board assembly (socket color: J24(green), J25(red)) P/N *Add Main board assembly P/N	Kate

2019/7/30	*Modify 98-0600079-00LF (Cutter tray) description *Modify 98-0600088-00LF (Base cutter catch tray) description	Kate
2019/8/7	*Modify 98-0600029-00LF description from Peel-off module panel (dealer option) to Peel-off kit (dealer option)	Kate
2019/8/12	*Modify 98-0600026-00LF description from Peel-off module assembly (MH240/MH240T Series only, dealer option) to Peel-off kit (MH240/MH240T Series only, dealer option) *Modify 98-0600029-00LF description from Peel-off kit (dealer option) to Peel-off module panel (dealer option)	Kate
2019/9/16	*Add Internal rewinding kit (5" O.D, dealer option) P/N *Add 3" Label core rewinder adopter assembly P/N	Kate
2019/11/29	*Modify the description of Internal rewinding kit (5" O.D, dealer option) (P/N: 98-0600092-00LF) to 5" O.D. Internal rewinding kit (dealer option, MH240 and MH240T series with 1" I.D. core spindle only) *Modify the description of Label supply spindle assembly (P/N: 98-0600017-00LF) to Label supply spindle assembly (For MH240P 1.5" I.D. core spindle) *Add 3" core adapters (For MH240 and MH240T series with 1" I.D. core spindle only) *Add Label supply spindle assembly (For MH240 and MH240T series 1" I.D. core spindle only)	Kate
2019/12/26	*Modify LED panel assembly (Green/Red) description to LED light guide and P/N from 57-0600001-00LF to 30-0600027-10LF	Kate
2020/1/7	*Add Print engine module (203 dpi) P/N *Add Print engine module (300 dpi) P/N *Add Print engine module (600 dpi) P/N *Add Accessory for MH240T (LCD) print module + Rewinder kit/ China P/N	Kate
2020/1/21	*Modify 98-0600098-00LF description from Print engine module (203 dpi) to Print module (203 dpi) without main board, power supply unit and power cord *Modify 98-0600098-01LF description from Print engine module (300 dpi) to Print module (300 dpi) without	Kate

	main board, power supply unit and power cord *Modify 98-0600098-02LF description from Print engine module (600 dpi) to Print module (600 dpi) without main board, power supply unit and power cord	
2020/3/3	* Revise the picture of Print module	Camille
2020/6/3	* Add P/N for Accessory for MH240T (LCD) print module/IN	Camille
2020/6/8	* Modify the P/N for Slot-in Wi-Fi housing with transfer board from 98-0510091-00LF to 98-0510091-10LF	Camille
2020/9/28	*Modify Media sensor module assembly P/N from 98-0600009-30LF to 98-0600009-20LF	Linda
2021/3/19	*Modify Slot-in Wi-Fi module with antenna and transfer board (dealer option) from 98-0510097-00LF to 98-2510097-00LF	Linda
2021/7/2	Modify the P/N of 4.3" LCD from 66-043TN24-00LF to 66-TH04348-00LF	Linda



TSC Auto ID Technology Co., Ltd.

Corporate Headquarters

9F., No.95, Minguan Rd., Xindian Dist.,
New Taipei City 23141, Taiwan (R.O.C.)

TEL: +886-2-2218-6789

FAX: +886-2-2218-5678

Web site: www.tscprinters.com

E-mail: apac_sales@tscprinters.com

tech_support@tscprinters.com

Li Ze Plant

No.35, Sec. 2, Ligong 1st Rd., Wujie Township,
Yilan County 26841, Taiwan (R.O.C.)

TEL: +886-3-990-6677

FAX: +886-3-990-5577