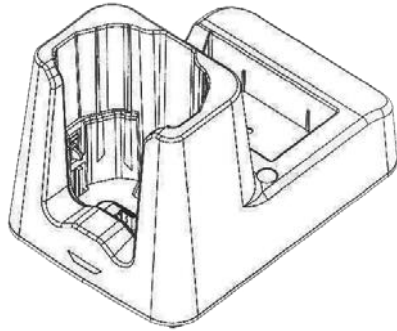


HT730 Single Slot Cradle



Quick Start Guide

V1.2

Package

Please make sure the following contents are in the gift box. If something is missing or damaged, please contact your Unitech representative.

The package contents

- HT730 Single Slot Cradle
- Power Supply (5V/ 6A) without power cord




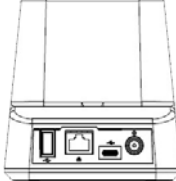
Optional accessories

- US power cord (PN#1010-601551G)
- EU power cord (PN#1550-602333G)
- UK power cord (PN#1550-602689G)

How to use HT730 single slot cradle

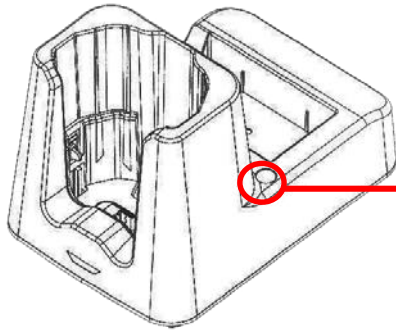
- Charge HT730 with bottom bumpers or the boot case on.

HT730 single slot cradle part numbers information

| P/N | Models | Description | |
|--------------|----------------------------------------------------|--------------------------------------------------------------------------------------------------------------------------------------------------------------------------------------------------|---------------------------------------------------------------------------------------|
| 5000-900086G | HT730 1-Slot Charging Cradlew/ spare battery slot | <ul style="list-style-type: none"> ■ Charging terminal via DC jack |  |
| 5000-900090G | HT730 1-Slot USB Cradlew/ spare battery slot | <ul style="list-style-type: none"> ■ Charging terminal via DC jack ■ Data transfer by USB type C between terminal and PC |  |
| 5000-900087G | HT730 1-Slot Ethernet Cradle w/ spare battery slot | <ul style="list-style-type: none"> ■ Charging terminal via DC jack ■ Data transfer by Ethernet (RJ45) or USB host (2.0) |  |
| 5000-900088G | HT730 Display port cradle w/ spare battery slot | <ul style="list-style-type: none"> ■ Charging terminal via DC jack ■ Display Port via USB type C (DP only) ■ Data transfer by Ethernet (RJ45) or USB host (2.0) |  |

LED Indicator Status

| When the cradle is under standby mode: | |
|--------------------------------------------------------------------------------------------------------------------------------------------------|----------------------------------------|
| Blue LED | Power is on. |
| When battery is charging: | |
| Red LED | Battery is being charged in rear slot. |
| Blue LED | Battery charging is completed. |
| When HT730 is inserted in the cradle, the LED indicator on the cradle will not be changed. The charging status is indicated by the LED of HT730: | |
| Red LED | HT730 is being charged . |
| Green LED | HT730 charging is completed. |



Stylus Hole:
This hole is for placing the stylus.

- CAUTION!**
- To ensure the unit working properly, please keep all connectors away from the contaminants staying inside of them such as dust, grease, mud, and water. The negligence may cause the unit with no communication, short circuited, overheated and so on.
 - If the connector is damaged, please ensure the connector is being fully repaired before using the unit to avoid causing short circuited.



<http://www.ute.com/>

Copyright 2023 Unitech Electronics Co., Ltd. All rights reserved.
Unitech is a registered trademark of Unitech Electronics Co., Ltd.